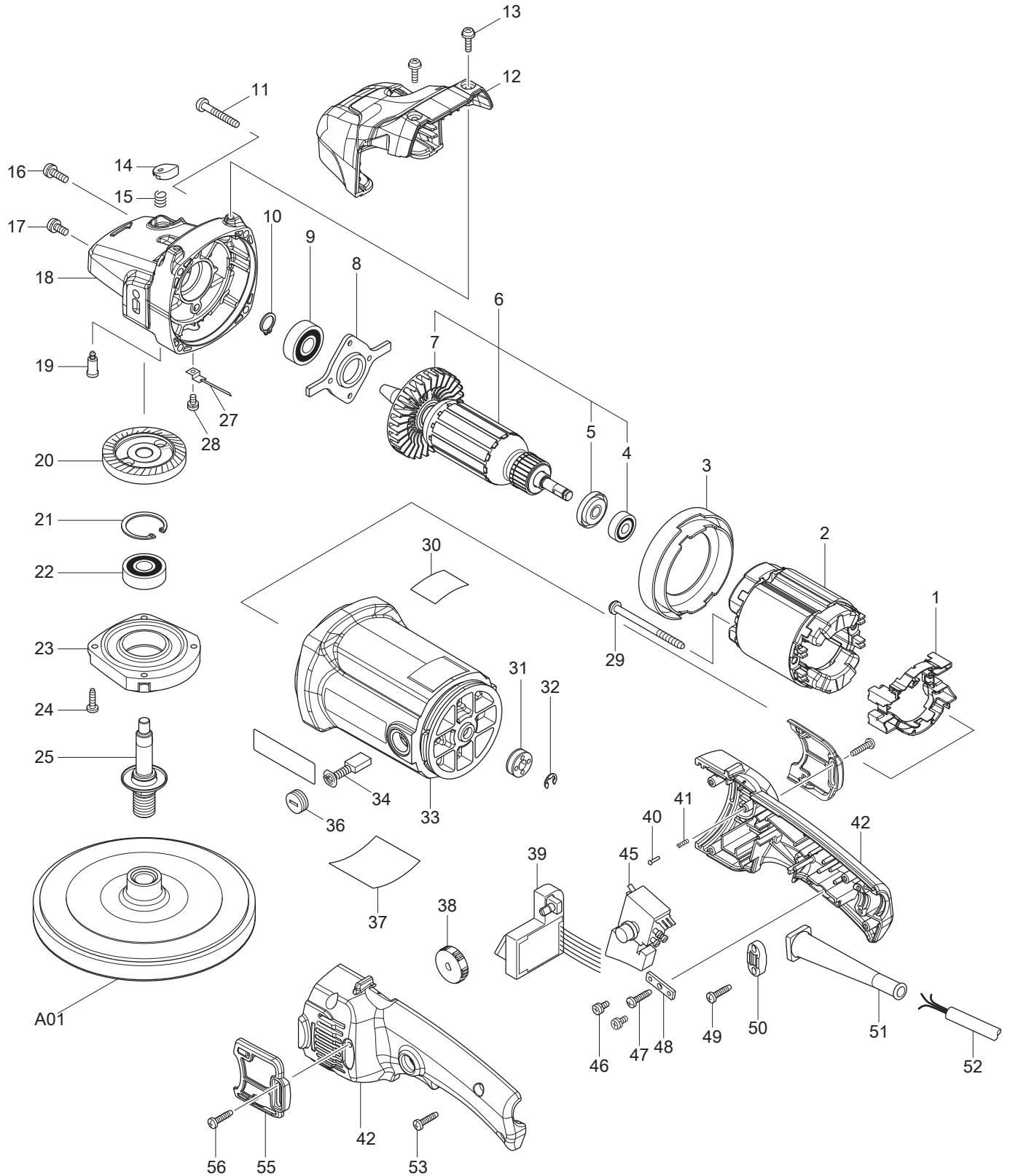




06 - 2014
9237C, 9237CX1
7" SANDER POLISHER



Item No.	Type	Sub	Part No.	Description	Qty	Unit
001			539186-8	SUPPORT ASSY	1	PC.
		INC.	654020-2	RING TERMINAL	1	PC.
		INC.	654555-3	CONNECTOR 34130	1	PC.
002			634291-7	FIELD 115V	1	PC.
003			416253-5	BAFFLE PLATE	1	PC.
004			211031-6	BALL BEARING 608LLB	1	PC.
005			681644-1	INSULATION WASHER	1	PC.
006			516306-1	ARMATURE ASSY 115V	1	PC.
		INC.		Item No. 4,5,7		
007			240002-6	FAN 70	1	PC.
008			285687-1	BEARING RETAINER 48	1	PC.
009			211106-1	BALL BEARING 6201LLB	1	PC.
010			961052-5	RETAINING RING S-12	1	PC.
011	2		266373-3	TAPPING SCREW 5X35	4	PC.
012			455291-2	HEAD COVER	1	PC.
013			911118-1	PAN HEAD SCREW M4X12	2	PC.
014			415491-6	PIN CAP	1	PC.
015			233072-2	COMPRESSION SPRING 8	1	PC.
016			911221-8	PAN HEAD SCREW M5X16	1	PC.
017			911211-1	PAN HEAD SCREW M5X12	1	PC.
018			142747-1	GEAR HOUSING COMPLETE	1	PC.
		INC.	212043-2	NEEDLE BEARING 810	1	PC.
019			256504-2	SHOULDER PIN 9	1	PC.
020			227512-0	SPIRAL BEVEL GEAR 52	1	PC.
021			962151-6	RETAINING RING R-32	1	PC.
022			211106-1	BALL BEARING 6201LLB	1	PC.
023			316896-2	BEARING BOX	1	PC.
024			266034-5	TAPPING SCREW CT 4X16	4	PC.
025			152552-8	SPINDLE COMPLETE, 5/8-11UNC	1	PC.
		INC.	344347-5	LABYRINTH RING	1	PC.
027			632783-0	LEAD UNIT	1	PC.
028			652014-1	PAN HEAD SCREW M4X8	1	PC.
029	2		266389-8	TAPPING SCREW 5X70	2	PC.
030			804M47-2	INDICATION LABEL	1	PC.
031			688110-9	MAGNET SLEEVE	1	PC.
032			961012-7	STOP RING E-6	1	PC.
033			142081-9	MOTOR HOUSING COMPLETE	1	PC.
		INC.	643708-9	BRUSH HOLDER 5-11	2	PC.
034			194996-6	CARBON BRUSH CB-303 2PC/SET W/ORIGIN	1	SET
036			643750-0	BRUSH HOLDER CAP 7-11	2	PC.
037			815Y28-3	NAME PLATE F/9237C	1	PC.
038			271417-6	DIAL 28	1	PC.
039			631801-1	CONTROLLER	1	PC.
040			255058-6	RIVET 2	1	PC.
041			233002-3	COMPRESSION SPRING 3	1	PC.
042			187917-5	HANDLE SET	1	PC.
045			651282-3	SWITCH	1	PC.
046			652014-1	PAN HEAD SCREW M4X8	2	PC.
047	2		265A48-7	TAPPING SCREW 4X18	1	PC.
048			654571-5	TERMINAL BLOCK	1	PC.
049	2		265A48-7	TAPPING SCREW 4X18	2	PC.
050			687063-9	CORD CLAMP (STRAIN RELIEF)	1	PC.
051			682572-3	CORD GUARD 8	1	PC.
052	2		664630-7	CORD W/PLUG 3P-18-2.5M, SJ	1	PC.
053	2		265A48-7	TAPPING SCREW 4X18	4	PC.

Item No.	Type	Sub	Part No.	Description	Qty	Unit
055			455288-1	DUST COVER	2	PC.
056	2		265A48-7	TAPPING SCREW 4X18	2	PC.
057			266171-5	HEX. SOCKET HEAD BOLT M8X25 F/ LOOP HANDLE	2	PC.
D01			654020-2	RING TERMINAL	1	PC.
D02			654025-2	RECEPTACLE FS2.8B-1.25-5	1	PC.
D03			654114-3	TERMINAL 31886	2	PC.
D04			654555-3	CONNECTOR 34130	1	PC.
D05			654558-7	INSULATED CONNECTOR	1	PC.
D06			654622-4	SPLICE	2	PC.
D07			654038-3	INSULATED TERMINAL FT1.25-M4	2	PC.
D08			654501-6	CONNECTOR P-1.25	1	PC.
D09			654509-0	CONNECTOR 2-SD	1	PC.
D10			654551-1	CONNECTOR	3	PC.
<u>ACCESSORIES</u>			- See Catalogue or visit www.makita.ca for more accessories -			
A01			743052-5	BACKING PAD 165 (HOOK&LOOP)	1	PC.
A02			783204-6	HEX. WRENCH 6	1	PC.
A03			455292-0	LOOP HANDLE	1	PC.
A04			262542-4	SLEEVE 18	1	PC.
A05	2		153489-2	GRIP 36 COMPLETE (Resin Grip)	1	PC.
A06			192629-7	WOOL PAD 180	1	PC.
A07			193048-0	SANDING LOCK NUT 5/8-48 PACKAGED	1	PC.
A08			743012-7	RUBBER PAD 5/8" (170MM)	1	PC.
A09			794176-0	WOOL BONNET 180	1	PC.
A10			781008-0	WRENCH 17	1	PC.
A11			782412-6	LOCK NUT WRENCH 28	1	PC.
A12			T-01220	FOAM POLISHING PAD, HARD DENSTY	1	PC.
			T-01236	FOAM POLISHING PAD, MED DENSTY	1	PC.
			T-01242	FOAM POLISHING PAD, SOFT DENSTY	1	PC.
A13			821007X	TOOL BAG 21"	1	PC.
A14	2		D-57152	9" DOUBLE WOOL POLISHING BONNET FINE -USE WITH D-57087	1	PC.
A15			D-57087	5/8"-11 ADAPTER / DOUBLE WOOL BONNET	1	PC.