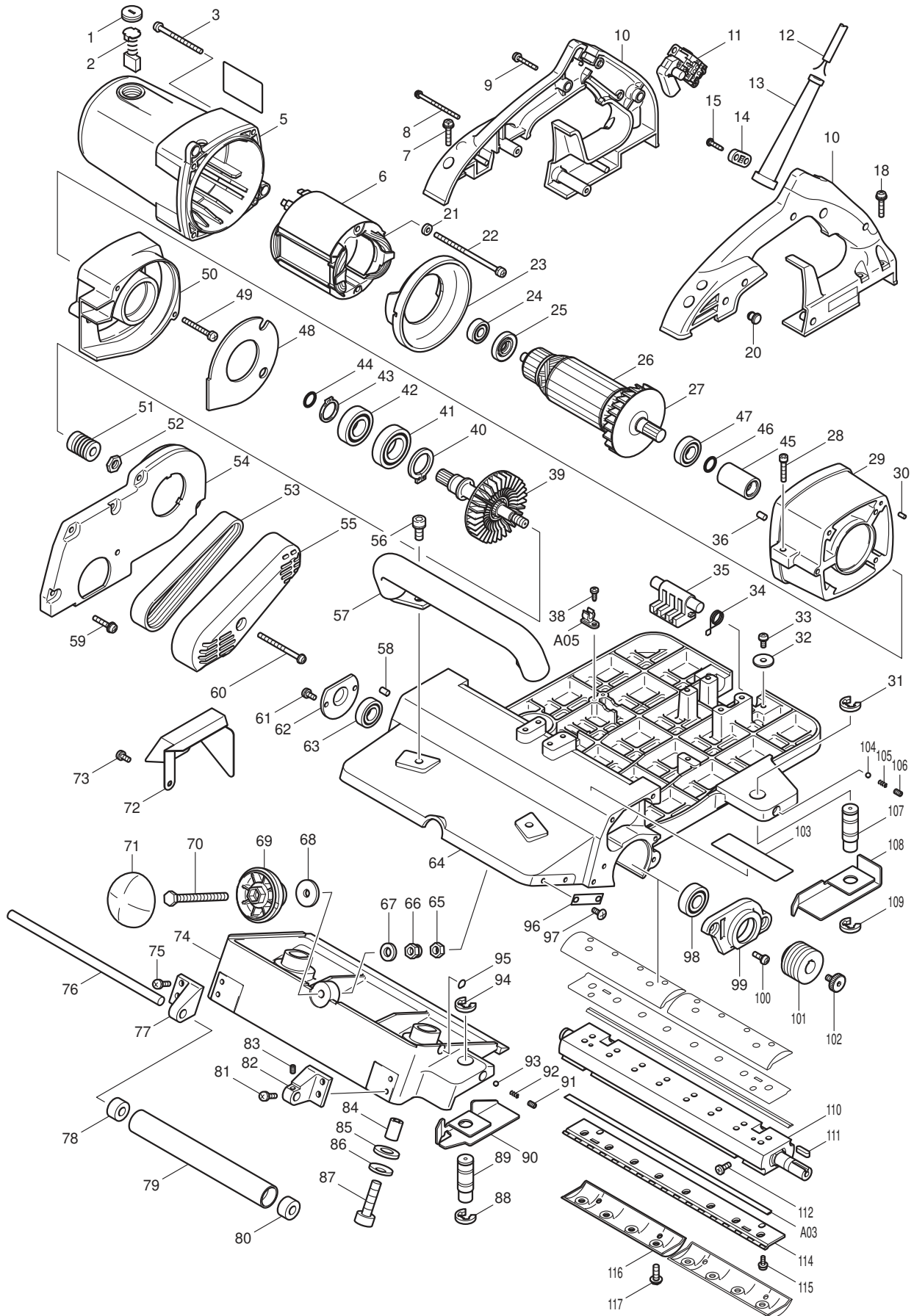




02 - 2010
KP312
12-9/32" PLANER



Item No	Type	Ref	Ref Part No	Description	Qty	Unit
1			643700-5	BRUSH HOLDER CAP 7-18	2	PC.
2	2		194991-6	CARBON BRUSH CB-203 2PC/SET (W/ ORIGIN)	1	SET
3			911288-6	PAN HEAD SCREW M5X65	4	PC.
4			850394-1	NAME PLATE KP312	1	PC.
5			153577-5	MOTOR HOUSING COMPLETE	1	PC.
6			636241-8	FIELD 115V	1	PC.
7			911248-8	PAN HEAD SCREW M5X28	4	PC.
8			911188-0	PAN HEAD SCREW M4X60	2	PC.
9			911153-9	PAN HEAD SCREW M4X28	2	PC.
10			183569-0	HANDLE SET	1	SET
11			651056-2	SWITCH TG71CR-2	1	PC.
12			664455-9	CORD W/PLUG 2P-14-10M	1	PC.
13			682564-2	CORD GUARD	1	PC.
14			687052-4	STRAIN RELIEF	1	PC.
15			265995-6	TAPPING SCREW 4X18	2	PC.
18			911248-8	PAN HEAD SCREW M5X28	4	PC.
20			286034-9	CAP 12	1	PC.
21			941102-2	FLAT WASHER 5	2	PC.
22			911942-2	PAN HEAD SCREW M5X95	2	PC.
23			418156-9	BAFFLE PLATE	1	PC.
24			211061-7	BALL BEARING 6000LLB	1	PC.
25			681640-9	INSULATION WASHER	1	PC.
26			516876-0	ARMATURE ASS'Y 115V	1	PC.
		INC.		Item No. 24,25,27,47		
27			241868-7	FAN 82	1	PC.
28			922251-4	HEX. SOCKET HEAD BOLT M5X30	2	PC.
29			317674-3	MOTOR BRACKET	1	PC.
30			256251-5	PIN 4	1	PC.
31			961062-2	STOP RING E-12	1	PC.
32			253010-8	FLAT WASHER 6	2	PC.
33			911211-1	PAN HEAD SCREW M5X12	2	PC.
34			231668-3	TORSION SPRING 15	1	PC.
35			418155-1	FOOT	1	PC.
36			263005-3	RUBBER PIN 6	1	PC.
38			266026-4	TAPPING SCREW BIND CT 4X12	1	PC.
39			153578-3	SPINDLE COMPLETE	1	PC.
40			961105-0	RETAINING RING S-25	1	PC.
41			211351-8	BALL BEARING 6005LLB	1	PC.
42			211301-3	BALL BEARING 6004LLB	1	PC.
43			961060-6	RETAINING RING S-20	1	PC.
44			213154-6	O RING 14	1	PC.
45			331650-3	COUPLING	1	PC.
46			213154-6	O RING 14	1	PC.
47			211236-8	BALL BEARING 6002DDW	1	PC.
48			345320-8	BLAST DISK	1	PC.
49			911268-2	PAN HEAD SCREW M5X45	3	PC.
50			317673-5	MAIN BRACKET	1	PC.
51			222140-6	V-PULLEY 9-23L	1	PC.
52			252085-4	HEX. NUT M10-17	1	PC.
53			225061-1	POLY V BELT 9-355	1	PC.
54			317676-9	BRACKET COVER	1	PC.
55			317672-7	BELT COVER	1	PC.
56			922431-2	HEX. SOCKET HEAD BOLT M8X20	2	PC.

Item No	Type	Ref	Ref Part No	Description	Qty	Unit
57			273522-5	FRONT GRIP	1	PC.
58			263005-3	RUBBER PIN 6	1	PC.
59			911248-8	PAN HEAD SCREW M5X28	5	PC.
60			911288-6	PAN HEAD SCREW M5X65	1	PC.
61			911211-1	PAN HEAD SCREW M5X12	2	PC.
62			285023-1	BEARING COVER	1	PC.
63			211236-8	BALL BEARING 6002DDW	1	PC.
64			183571-3	MAIN BASE	1	PC.
	INC.			Item No. 103		
65			931403-6	HEX. NUT M8	1	PC.
66			252105-4	HEX. LOCK NUT M8-13	1	PC.
67			941201-0	FLAT WASHER 8	1	PC.
68			253877-4	FLAT WASHER 8	1	PC.
69			418177-1	KNOB	1	PC.
70			265511-4	HEX. BOLT	1	PC.
71			417249-9	KNOB COVER	1	PC.
72			345338-9	TIP GUIDE	1	PC.
73			911211-1	PAN HEAD SCREW M5X12	2	PC.
74			317675-1	FRONT BASE	1	PC.
75			251259-4	+ PAN HEAD SCREW M5X16	2	PC.
76			256853-7	ROD 10	1	PC.
77			317668-8	ROLLER HOLDER R	1	PC.
78			214054-3	PLANE BEARING 10	1	PC.
79			331368-6	ROLLER 26-203	1	PC.
80			214054-3	PLANE BEARING 10	1	PC.
81			251259-4	+ PAN HEAD SCREW M5X16	2	PC.
82			317667-0	ROLLER HOLDER L	1	PC.
83			266229-0	H.S.SET SCREW(CUP POINT)M5X8	1	PC.
84			257589-1	SLEEVE 10	2	PC.
85			267198-8	FLAT WASHER 14	2	PC.
86			232076-1	LEAF SPRING	2	PC.
87			922562-7	HEX. SOCKET HEAD BOLT M10X40	2	PC.
88			961062-2	STOP RING E-12	1	PC.
89			324334-0	GUIDE RULE SHAFT	1	PC.
90			345322-4	GUIDE PLATE F	1	PC.
91			266229-0	H.S.SET SCREW(CUP POINT)M5X8	1	PC.
92			231386-3	COMPRESSION SPRING 3	1	PC.
93			216008-6	STEEL BALL 4	1	PC.
94			961062-2	STOP RING E-12	1	PC.
95			812074-7	INDICATION LABEL	1	PC.
96			816394-1	SCALE PLATE	1	PC.
97			251381-7	+ SCREW M5X12	2	PC.
98			211206-7	BALL BEARING 6202LLB	1	PC.
99			317671-9	BEARING BOX	1	PC.
100			251259-4	+ PAN HEAD SCREW M5X16	2	PC.
101			222162-6	V PULLEY 9-39.7	1	PC.
102			265854-4	HEX. SOCKET HEAD BOLT M6X12	1	PC.
103			819084-5	MAKITA LABEL	1	PC.
104			216008-6	STEEL BALL 4	1	PC.
105			231386-3	COMPRESSION SPRING 3	1	PC.
106			266229-0	H.S.SET SCREW(CUP POINT)M5X8	1	PC.
107			324334-0	GUIDE RULE SHAFT	1	PC.
108			345321-6	GUIDE PLATE R	1	PC.

Item No	Type	Ref	Ref Part No	Description	Qty	Unit
109			961062-2	STOP RING E-12	1	PC.
110			161139-5	DRUM	1	PC.
111			254221-8	KEY 4	1	PC.
112			251212-0	+ FLAT HEAD SCREW M5X13	4	PC.
114			165371-3	SET PLATE 310	2	PC.
115			911113-1	PAN HEAD SCREW M4X10	4	PC.
116	2		187681-8	DRUM PLATE (2PCS/SET)	2	SET
117			251609-3	HEX. FLANGE HEAD BOLT M6X17	16	PC.
C01			845816-4	CARTON F/KP312	1	PC.
E01			810249-2	CAUTION LABEL	1	PC.

ACCESSORIES

- See Catalogue or visit www.makita.ca for more accessories -

A01			762001-3	TRIANGULAR RULE	1	PC.
A02			782209-3	SOCKET WRENCH 9	1	PC.
A03			B-02870	HSS PLANER BLADE 312MM 2PCS/SET	1	SET
A04			193733-5	NOZZLE SET F/VACUUM	1	PC.
A05			416536-3	WRENCH HOLDER	1	PC.