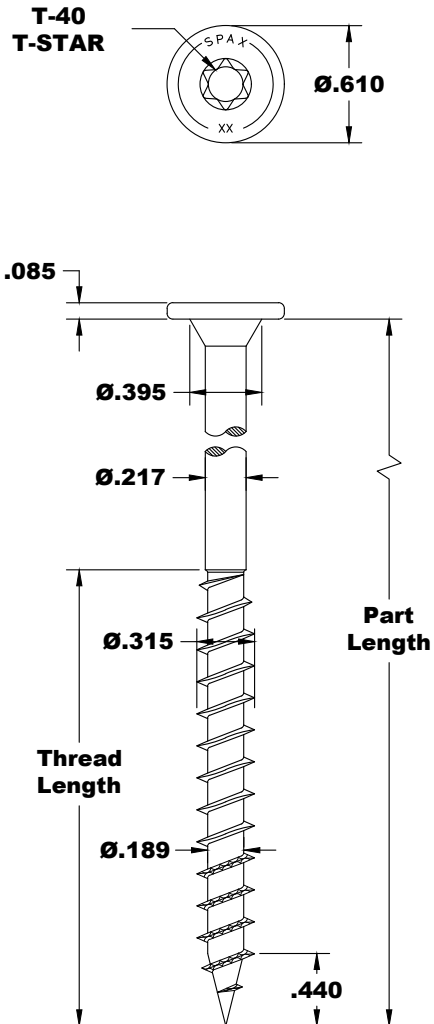


5/16" T-STAR PANCAKE HEAD POWERLAGS®



Size	Head Marking (X.X)	Part Length	Thread Length
5/16 x 4"	4	4.000	2.375
5/16 x 6"	6	6.000	
5/16 x 8"	8	8.000	
5/16 x 9"	9	9.000	
5/16 x 10"	10	10.000	
5/16 x 11"	11	11.000	
5/16 x 12"	12	12.000	
5/16 x 13"	13	13.000	
5/16 x 14"	14	14.000	
5/16 x 15"	15	15.000	
5/16 x 16"	16	16.000	
5/16 x 18"	18	18.000	

Notes:

- Nominal dimensions in inches with no tolerances
- Information contained in this document is subject to change and periodic updates. Please contact SPAX or refer to spax.us for current product information including available coating options.

	SCALE NOT-TO-SCALE	DRAWN KLS	DESCRIPTION 5/16" T-STAR PANCAKE HEAD POWERLAGS®		REV —
	DATE 7/18/19	CHECKED CHECKED			
	SHEET 1 of 1	APPROVED APPROVED	SIZE A	CP- CP-XTM312	